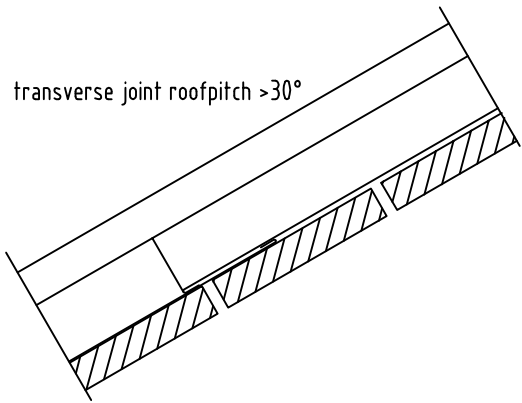
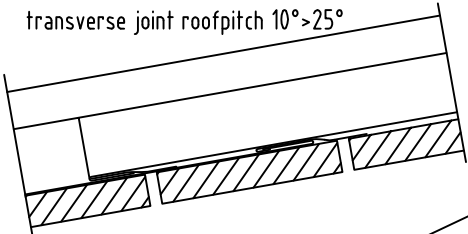


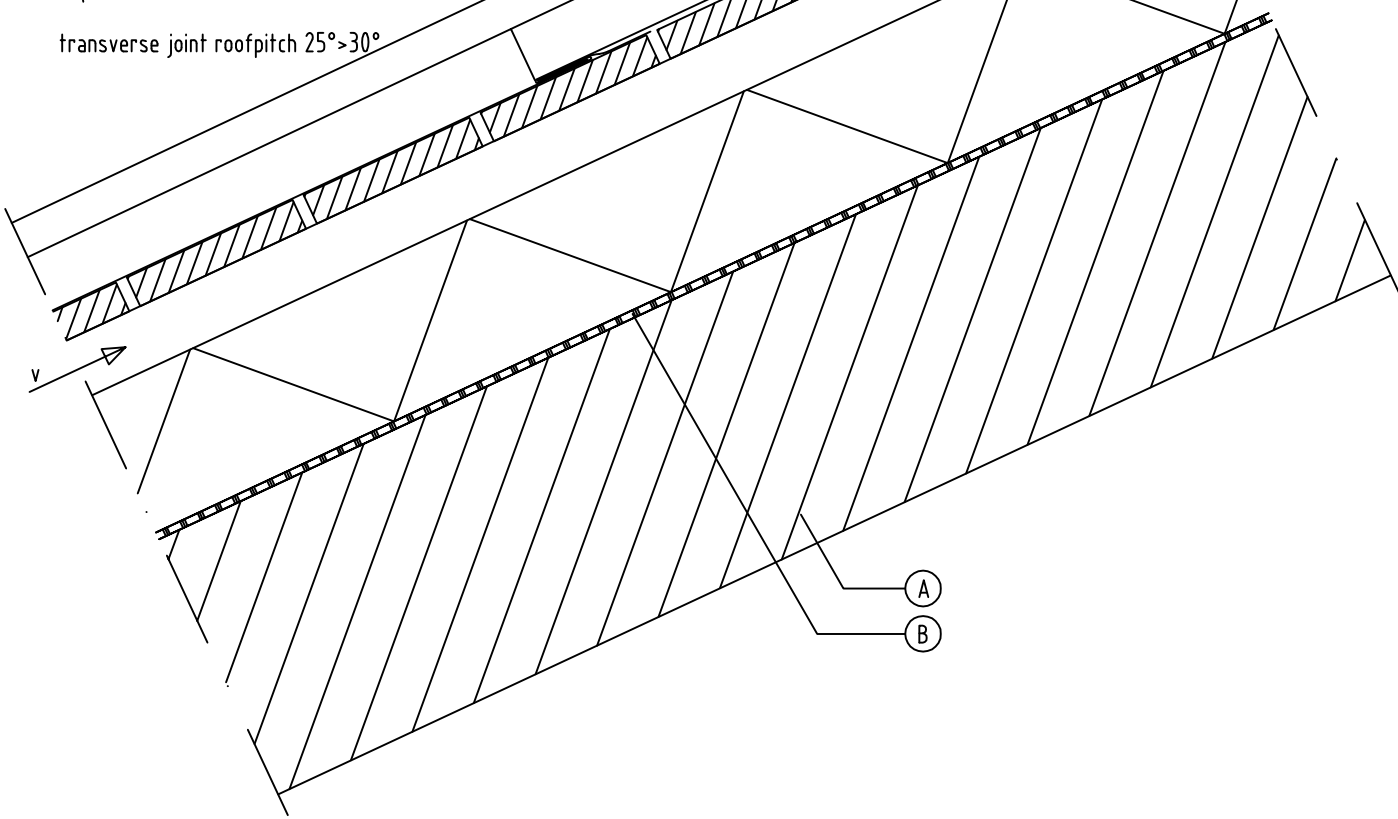
transverse joint roofpitch $>30^\circ$



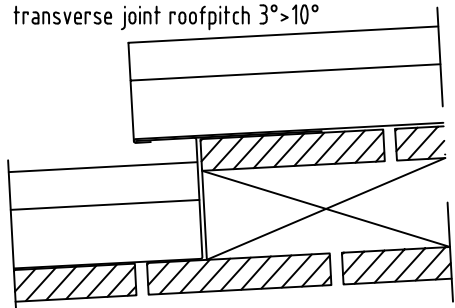
transverse joint roofpitch $10^\circ > 25^\circ$



transverse joint roofpitch $25^\circ > 30^\circ$



transverse joint roofpitch $3^\circ > 10^\circ$



- A - Building structure
- B - Damp control course
- C - Insulation layer
- D - Ventilated cavity
- E - Timber boarding
- F - Roll cap bay
- G - Roll capping

Description:
Roll Cap roofing, ventilated, longitudinal section

NedZink B.V.
Hoofdstraat 1
NL 6020 AC Budel
www.nedzink.com

Drawing number: EN-DRG02

Date: 21-6-2016

NedZink

